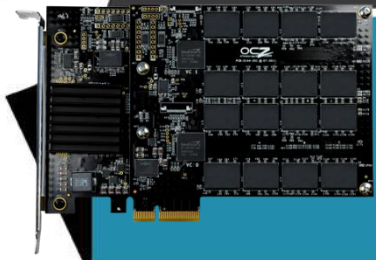


OCZ RevoDrive 3 X2 Max IOPS



PCI-Express Solid State Drive with Unprecedented Performance & Features



The RevoDrive 3 X2 Max IOPS accelerates workstation and high-end computing applications with premium NAND flash components for state-of-the-art performance, and an advanced data management feature-set with OCZ VCA 2.0 technology.

- Delivers up to 245,000 IOPS
- Bandwidth up to 1.9 GB/s
- Capacity up to 960GB

Single Highest Performing SSD in Prosumer Space

- Up to 3X faster than SATA 6 Gb/s solutions
- Uses premium NAND flash components for ever faster bandwidth and IOPS performance
- Takes full advantage of today's multithreaded processors and software
- Bootable as a direct-attach device
- Easy-to-deploy, single card solution

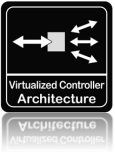
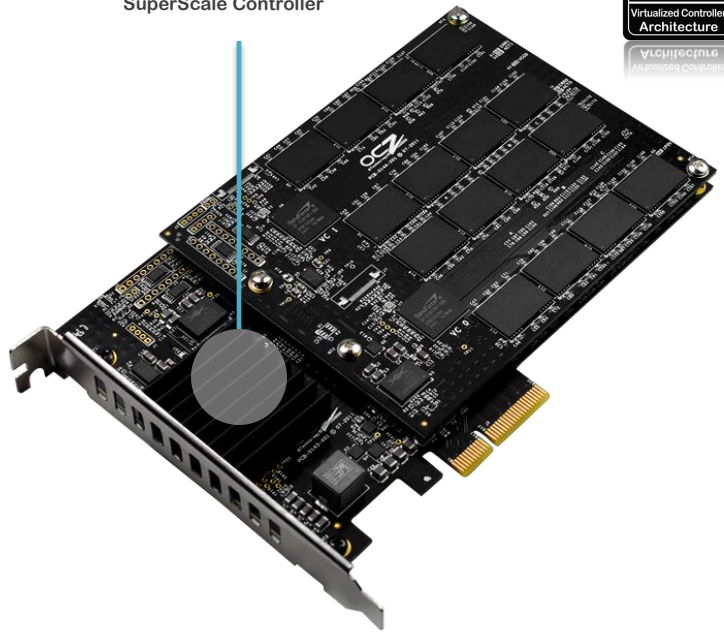
OCZ Virtualized Controller Architecture™

- VCA™ 2.0 presents as a complete storage subsystem for superior data management
- Only virtualization layer in the industry with TRIM and SCSI unmap support
- Enables SMART monitoring for system administrators

OCZ SuperScale™ Storage Accelerator

- Facilitates scalable performance for intensive workloads
- Unique complex command queuing structure (CCQS) with queue balancing algorithms (QBA)
- Higher performance and reduced burden on the host CPU

SuperScale Controller



The ultimate storage solution is new and improved. Designed to deliver maximum throughput in multithreaded applications, the new Max IOPS edition is an extension of the company's industry-leading RevoDrive 3 X2 product line, supporting workstation users that require greater transactional throughput and bandwidth. The RevoDrive 3 X2 Max IOPS edition combines a proven cutting-edge architecture and OCZ VCA 2.0 flash virtualization layer with premium NAND flash components to deliver exceptional 4KB random write performance up to 245,000 IOPS, along with higher sequential performance at 1900MB/s read and 1725MB/s write speeds. Furthermore, these drives can significantly improve multimedia entertainment and management, and the overall computing experience compared to both traditional mechanical hard drives and provide great TCO to expensive enterprise-level SSDs. The RevoDrive 3 X2 Max IOPS Edition provides ample space for data warehousing, applications, multimedia files, and operating systems with the superior durability, energy efficiency, and reliability of SSDs.

Performance	240GB	480GB	960GB
Max Read ¹	up to 1900 MB/s	up to 1900 MB/s	up to 1900 MB/s
Max Write ¹	up to 1700 MB/s	up to 1700 MB/s	up to 1725 MB/s
Max 4KB Random Write ²	230,000 IOPS (780 MB/s)	245,000 IOPS (900 MB/s)	245,000 IOPS (900 MB/s)

System Configuration: Intel® Core™ i7 2600K processor, ASUS P8P67 Pro Board, Microsoft Windows 7 Ultimate 64-Bit

¹ Maximum Sequential Speeds are determined using ATTO

² Small file I/O performance is measured using Iometer 2010, Queue Depth 64, 4KB Aligned; Logical Block Address (LBA) range: 8GB



OCZ RevoDrive 3 X2 Series

PCI-Express Solid State Drive with Unprecedented Performance & Features

SPECIFICATIONS

Physical	
Usable Capacities (IDEMA)	240GB, 480GB, 960GB
NAND Components	Synchronous 25nm Multi-Level Cell (MLC)
Interface	PCI-Express Gen. 2 x4
Form Factor	PCIe Full Height
Storage Controller	OCZ SuperScale
NAND Controller	SandForce® 2281 x 4
Dimensions (L x W x H)	167.64 x 98.42 x 22.15 mm (dimensions do not include bracket)
Weight	185g (may vary slightly due to capacity)
Reliability/Protection/Security	
MTBF	1 million hours
ECC Recovery	Up to 55 bits correctable per 512-byte sector (BCH) *varies depending on exact configuration
Data Reliability	Read unrecoverable bit error rate (UBER) 10e-16 (<1 in 10 ¹⁶ bits read)
Data Encryption	128-bit & 256-bit AES-compliant
Product Health Monitoring	Self-Monitoring, Analysis and Reporting Technology (SMART) Support
Environmental	
Power Consumption	Idle: 13.5 W Active: 14.3 W
Operating Temperature	0 °C ~ 70 °C
Storage Temperature	-45 °C ~ 85 °C
Shock Resistance	1500G
Certifications	RoHS, CE, FCC
Compatibility	
PCI-Express	Fully compliant with the PCIe Electromechanical Specification Rev. 2.0, and PCI-Express Base Specification Rev. 2.0
Operating System	Windows 7 32-bit and 64-bit
Power Requirements	PCI-Express 12V & 3.3V
Additional Features	
Flash Virtualization Layer	OCZ VCA (Virtualized Controller Architecture) 2.0
Performance Optimization	TRIM/SCSI Unmap (requires OS support), Drivers www.ocz.com/drivers
Secure Erase	Enabled via OCZ Toolbox www.ocz.com/ssd_tools
Service & Support	3-Year Warranty, Toll-Free Tech Support, 24 Hour Forum Support

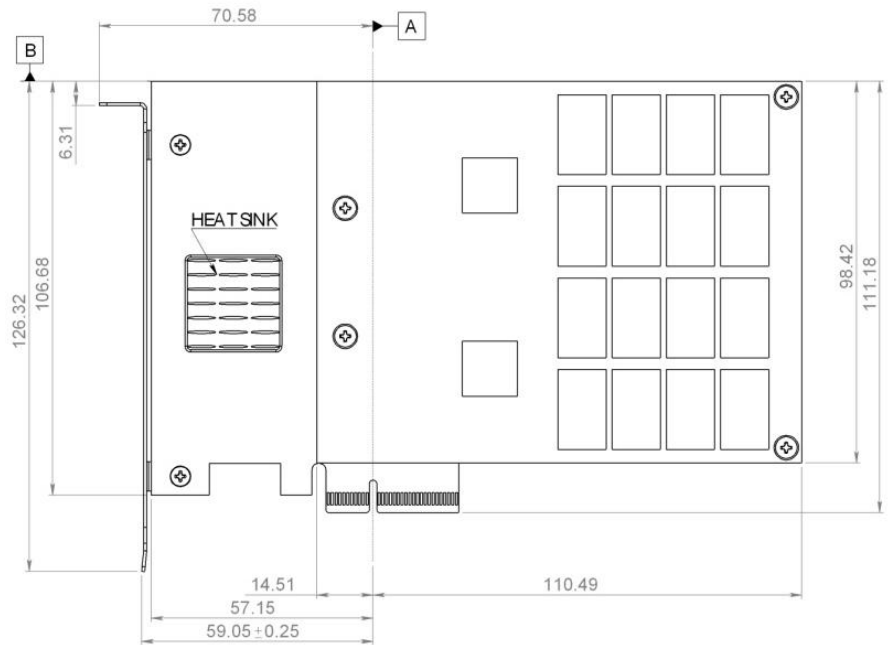
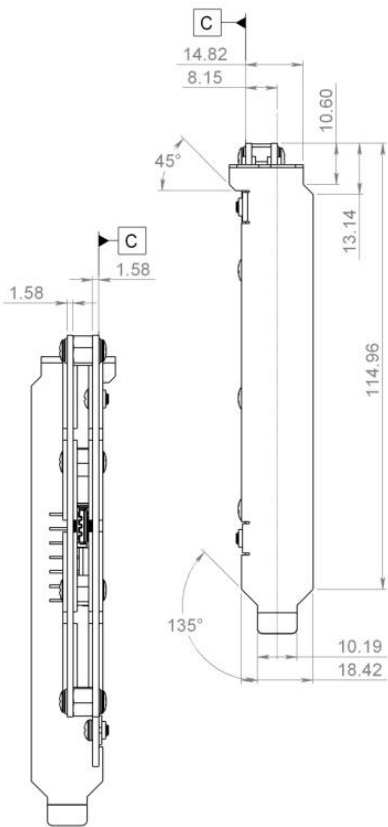
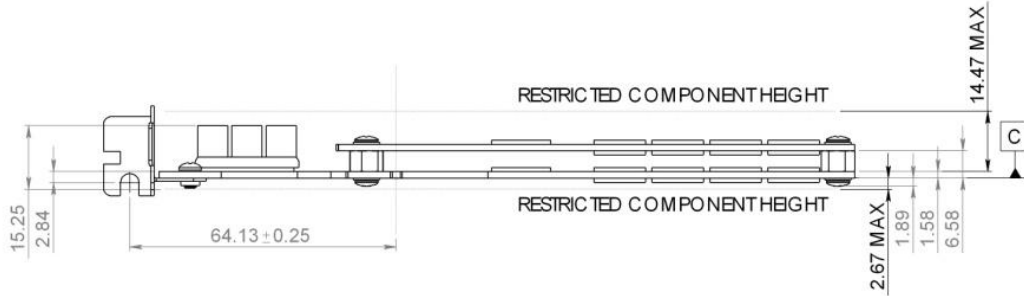


OCZ RevoDrive 3 X2 Series

PCI-Express Solid State Drive with Unprecedented Performance & Features



MECHANICAL SPECIFICATIONS



1. UNLESS OTHERWISE SPECIFIED: DIMENSIONS ARE IN MILLIMETERS.
2. UNLESS OTHERWISE SPECIFIED: ± 0.13 (PCB), ± 0.27 (BRACKET), ± 0.01 "
3. BRACKET MATERIAL: 0.86MM THICK (20 GA)

ORDERING INFORMATION

PRODUCT	RAW CAPACITY	IDEMA CAPACITY	PART NUMBER	UPC
RevoDrive 3 X2 Max IOPS	256GB	240GB	RVD3MIX2-FHPX4-240G	842024029380
RevoDrive 3 X2 Max IOPS	512GB	480GB	RVD3MIX2-FHPX4-480G	842024029397
RevoDrive 3 X2 Max IOPS	1024GB	960GB	RVD3MIX2-FHPX4-960G	842024029465

